



# LEFROY BROOKS

1 8 2 8 T R O U T M A N S T R E E T  
R I D G E W O O D N E W Y O R K N Y 1 1 3 8 5 U S A  
T: +1(718) 302 5292 F: +1(718) 302 4177

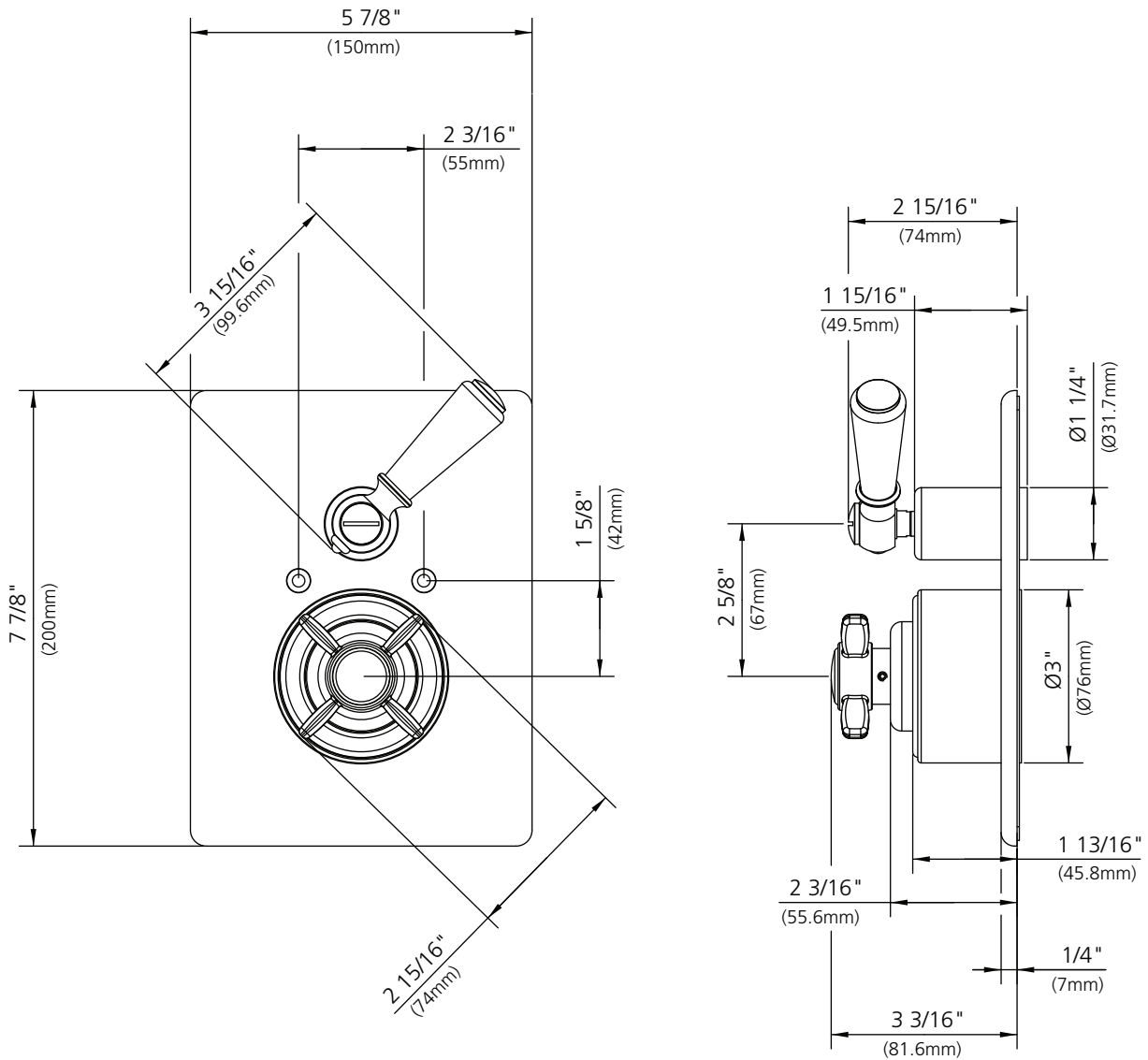
## CW-4055

CROSS HANDLE CONCEALED GODOLPHIN PRESSURE BALANCE  
WITH WHITE LEVER 2-WAY DIVERTER TRIM ONLY,  
TO SUIT M1-4101 ROUGH

### DIMENSIONAL DATA SHEET

DATE: 28 December 2009

No: A661096



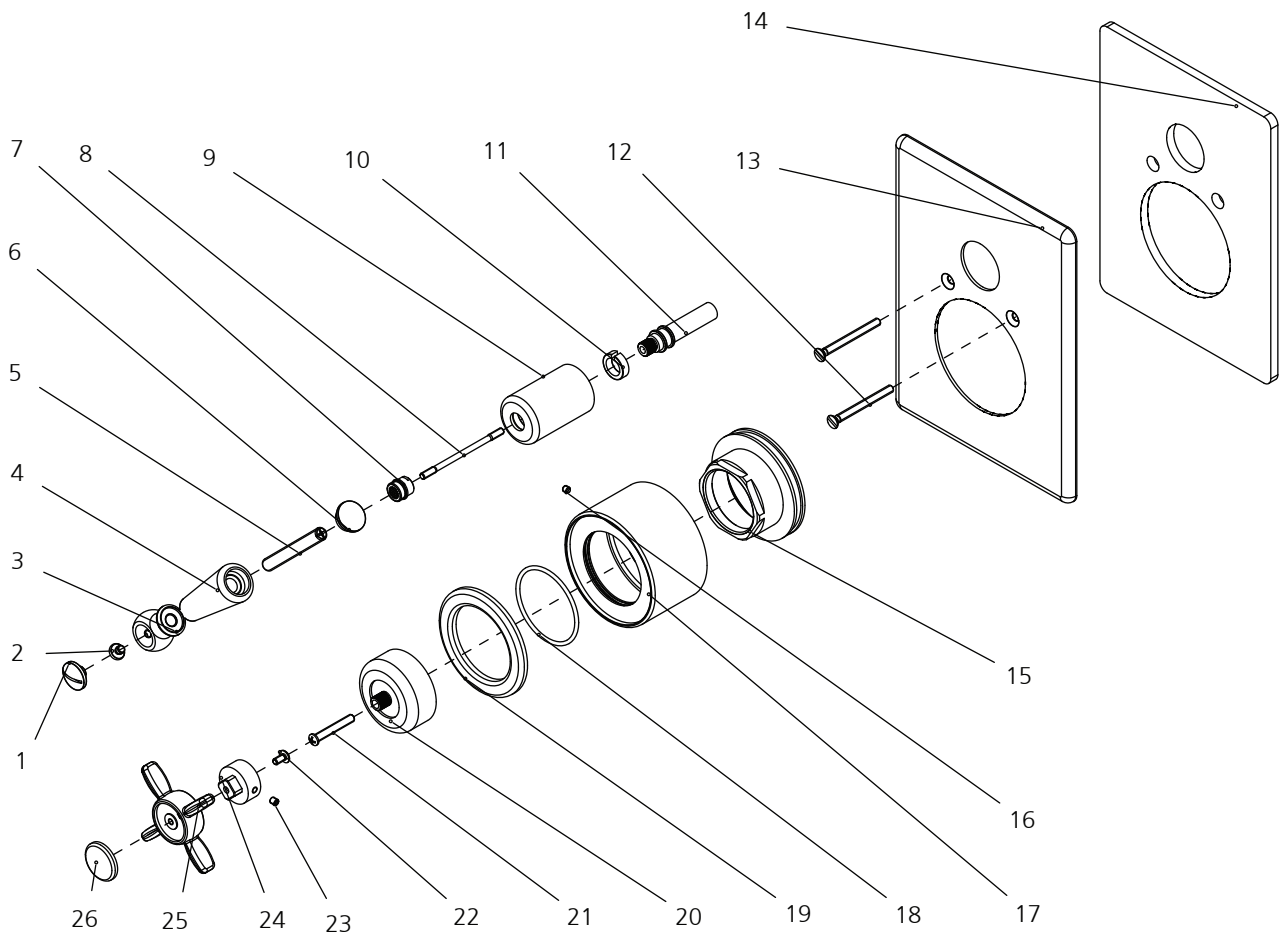
©COPYRIGHT 2009. CHRISTO LEFROY BROOKS. ALL RIGHTS RESERVED.

DIMENSIONS IN INCHES & MILLIMETRES

WHILST EVERY EFFORT IS MADE TO ENSURE THE ACCURACY OF THESE DATA SHEETS THEY ARE SUBJECT TO CHANGE WITHOUT NOTICE AS PART OF THE COMPANY'S PRODUCT DEVELOPMENT PROCESS

# CW-4055

CROSS HANDLE CONCEALED GODOLPHIN PRESSURE BALANCE WITH WHITE LEVER 2-WAY DIVERTER TRIM ONLY, TO SUIT M1-4101 ROUGH



- |   |                           |    |                         |    |                          |
|---|---------------------------|----|-------------------------|----|--------------------------|
| 1 | Screw head (008247)       | 10 | Clip (012242)           | 19 | Ceramic ring (023660-50) |
| 2 | Handle adaptor (109377)   | 11 | Spindle (110388)        | 20 | Adaptor (018251)         |
| 3 | Handle head (205461)      | 12 | Screw (008101)          | 21 | Screw (008109)           |
| 4 | Handle sleeve (108924-52) | 13 | Front plate (006595)    | 22 | Screw (065172)           |
| 5 | Handle stem (017094)      | 14 | Seal (013830)           | 23 | Screw (065021)           |
| 6 | Handle-end cap (109376)   | 15 | Adjusting ring (104292) | 24 | Adaptor (205462)         |
| 7 | Adaptor (067580)          | 16 | Set screw (065086)      | 25 | Cross handle (069906)    |
| 8 | Screw (017813)            | 17 | Canopy (018394)         | 26 | Handle cap (206243)      |
| 9 | Canopy (018960)           | 18 | O-ring (004623R)        |    |                          |